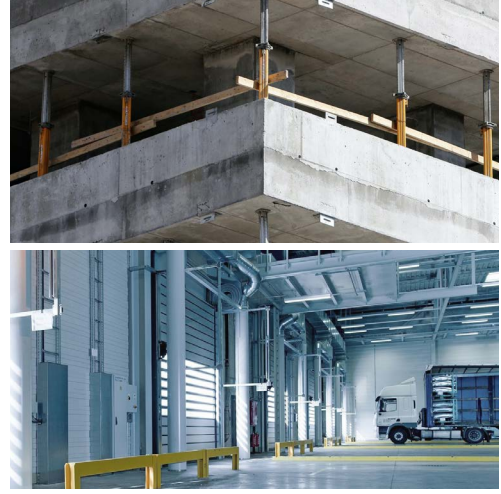


Fan Heaters Catalogue 2021





INTRODUCTION 4



APPLICATIONS 5



PRODUCTS 6

- Basic Fan Heater
- Horizontal Fan Heater
- Portable Fan Heater



CUSTOMISATION 18

INTRODUCTION

During the winter, builders, industrial workers or construction workers have to continue their work activities, even in the coldest countries. Workers can be more efficient if they are in an environment with comfortable temperatures. Sometimes, when a central heating system is not possible, a fan heater is the perfect alternative.



Airtècnics has several models of industrial fan heaters for those users who are in very demanding conditions. There are three models available: wall-mounted, ceiling-mounted and portable, ideal for use in any location.

Our fan heaters are compact and robust devices, provided with a water battery and, soon, also available with electric resistance. All the devices have a great heating capacity even in the most extreme environments in a fast and efficient way. The device is energy efficient thanks to the EC fan. The design of the fan heaters is elegant and simple. As standard, they are supplied in white, but on request, the galvanised steel sheet can be customised with any colour from the RAL chart.



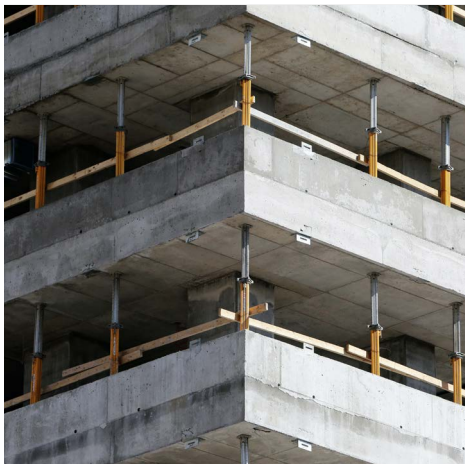
APPLICATIONS



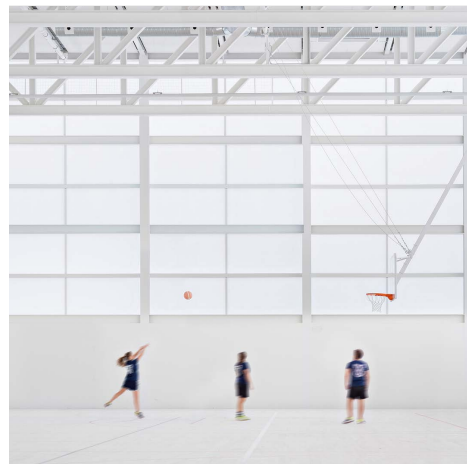
Industrial premises



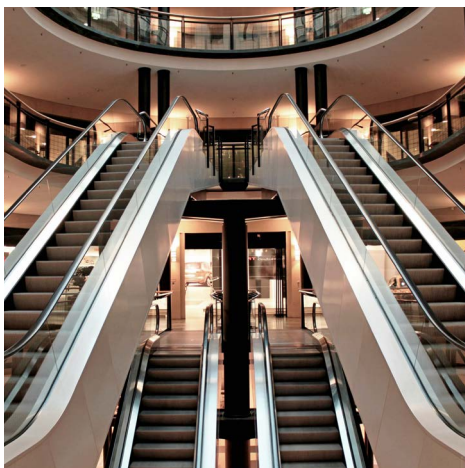
Logistics and distribution plants



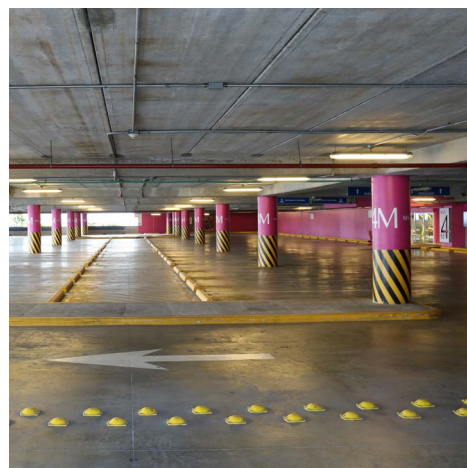
Construction



Sport facilities



Shopping centers



Parking lots



Basic Fan Heater

Versatile and robust wall-mounted unit ideal for large industrial or commercial spaces.

Technical features

Compact and functional fan heater designed for heating large spaces such as industrial buildings, factories, warehouses, workshops or venues

Galvanised sheet steel frame, with epoxy-polyester RAL 9016 structural finish as standard. Other colours or customisation (logos and vinyls) available on request.

Directional diffuser by means of steel slats adjustable from 0 to 70°.

Wall or ceiling mounting with accessories.

Axial fans with 2 ventilation levels (depending on model) with high efficiency and low noise level, with external rotor motor, single-phase 230V/50Hz and, optionally, three-phase model 400V/50Hz.

Water coil with 2 or 3 row 2x½" male connectors (P86/P64) allowing different working ranges 80/60 and 60/40 as standard. Other working ranges can be calculated on request.

Different control options to fulfill any customer request: 5 ventilation speed, manual or automatic functioning, remote control, with telephone cable and fast connectors (Plug and Play), interface to connect to BMS, etc.





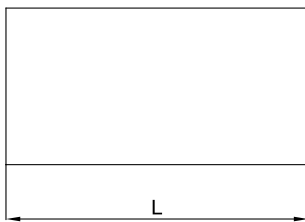
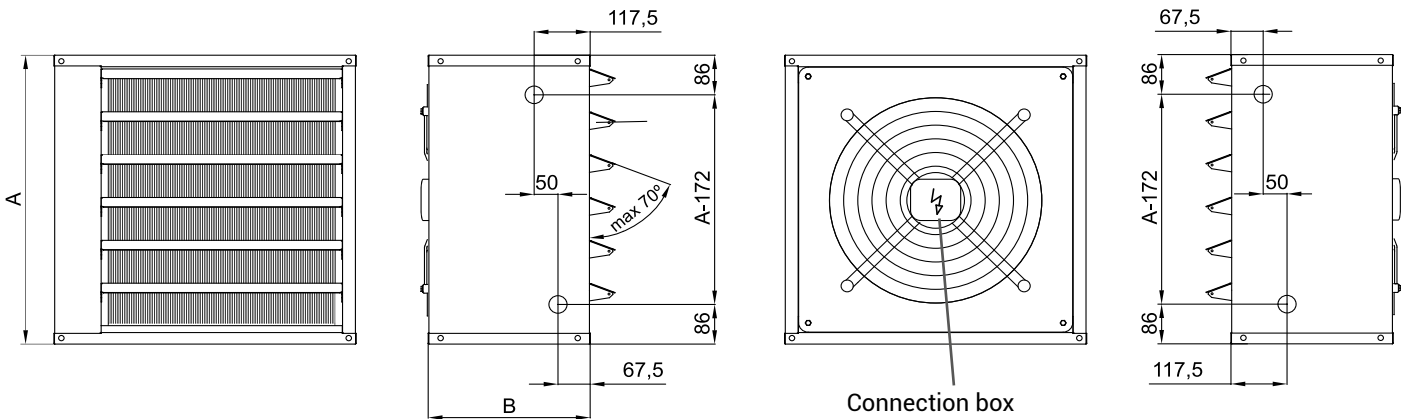
Unit	Airflow (m³/h)	Heating power (kW)	Consumption (kW/h)	Intensity (A a 230V)	Weight (Kg)	Noise (at 5m) (dB)
BAS 350 P86	2500	14,01	0,15	0,71	25	45 / 58 (*)
BAS 350 P64	2500	12,08	0,15	0,71	25	45 / 58 (*)
BAS 450 P86	4500	24,38	0,34	1,48	28	46 / 59 (*)
BAS 450 P64	4500	20,32	0,34	1,48	28	46 / 59 (*)
BAS EC 350 P86	2800	14,47	0,17	0,83	25,5	46 / 59 (*)
BAS EC 350 P64	2600	12,01	0,17	0,83	25,5	46 / 59 (*)
BAS EC 450 P84	4750	24,34	0,44	2,08	28,5	47 / 60 (*)
BAS EC 450 P64	4000	18,34	0,44	2,08	28,5	47 / 60 (*)

(*) Noise level corresponding to: 50% / 100% of air flow rate.

Dimensions

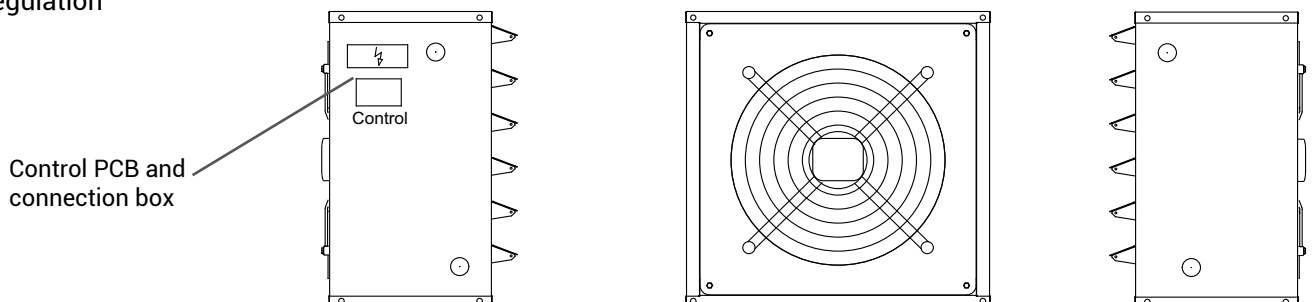
It is available in two sizes.

Without regulation



	L	A	B	N (slats)	Air range
Basic Fan Heater 350	544	537	330	5	8,5 m
Basic Fan Heater 450	634	627	340	6	12 m

With regulation



Regulation

This model of fan heater can operate without regulation or with integrated basic regulation. Optionally can be regulated by Clever Advanced Control.



*Basic Fan Heater
without regulation*



*Basic Fan Heater
with integrated basic regulation*



**Standard
5 speeds
control
CW-5AW-IR**

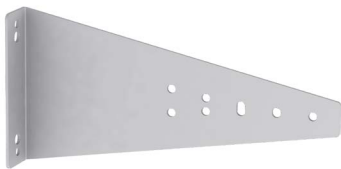


**Advanced
Clever control
(optional)**

Accessories

Support

The wall mounting bracket can be supplied with multiple tilt positions.



Filter

Filters can be added, depending on the requirements, with the filters case tailor-made for each model.





Horizontal Fan Heater

Industrial or commercial fan heater for ceiling mounting or recessed in false ceilings. Air-conditioning in large, open-plan spaces is easily achieved.

Características técnicas

Sturdy and functional fan heater designed for heating large spaces such as industrial buildings, factories, warehouses, sports facilities, shops, parkings or venues.

Galvanised sheet steel frame, with epoxy-polyester RAL 9016 structural finish as standard. Other colours or customisation (logos and vinyls) available on request.

Supplied with round diffuser for large jet. Different tube heights to focus the air and meet client requirements

Mounted directly to the ceiling thanks to omega supports.

Axial fans with 2 ventilation levels (depending on model) with high efficiency and low noise level, with external rotor motor, single-phase 230V/50Hz and, optionally, three-phase model 400V/50Hz.

Water coil with 2 or 3 row 2x½" male connectors (P86/P64) allowing different working ranges 80/60 and 60/40 as standard. Other working ranges can be calculated on request.

Different control options to fulfill any customer request: 5 ventilation speed, manual or automatic functioning, remote control, with telephone cable and fast connectors (Plug and Play), interface to connect to BMS, etc.



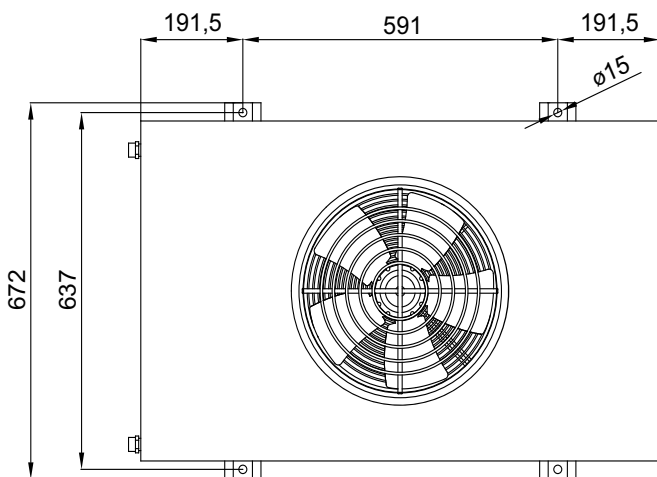


Unit	Airflow (m ³ /h)	Heating power (kW)	Consumption (kW/h)	Intensity (A a 230V)	Weight (Kg)	Noise (at 5m) (dB)
HOR 350 P86	2200	14,01	0,15	0,71	33,5	39 / 58 (*)
HOR 350 P64	2200	12,08	0,15	0,71	33,5	39 / 58 (*)

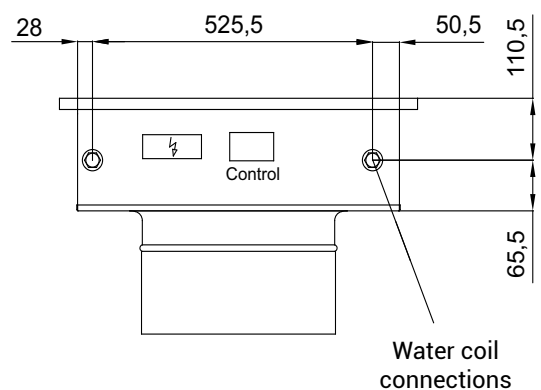
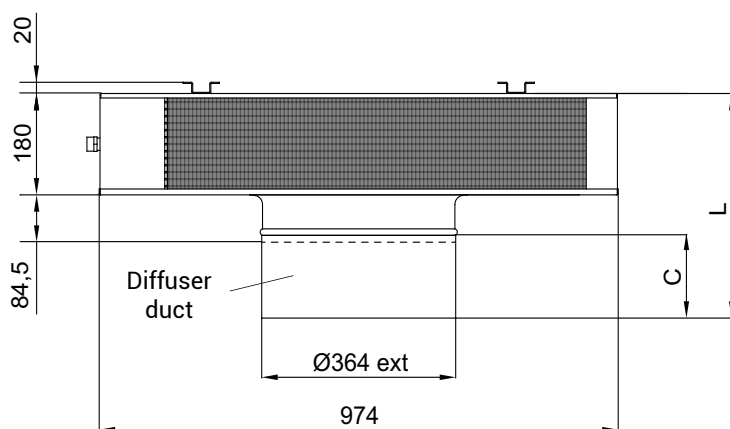
(*) Noise level corresponding to: 50% / 100% of air flow rate.

Dimensions

The unit has compact dimensions, ideal for ceiling or false ceiling installation. Diffuser duct available in two lengths.



	C	L	Air range
Diffuser duct 150 (Estándar)	148	400	5 m
Diffuser duct 300	300	550	9 m



Regulation

This model of fan heater can operate without regulation or with integrated basic regulation. Optionally can be regulated by Clever Advanced Control.



*Horizontal Fan Heater
without regulation*



*Horizontal Fan Heater
with integrated basic regulation*



Standard
5 speeds
control
CW-5AW-IR

Advanced
Clever Control
(optional)

Accessories

Diffuser duct

Two types of diffuser ducts can be supplied depending on the height of the installation.



Diffuser ducts

IP54 protection

It is also possible to equip the regulation and connections with IP54 protection.



IP54 regulation and connections



Portable Fan Heater

The industrial fan heater that can be moved wherever the user needs it. Model designed with wheels and handle.

Technical features

Robust and functional fan heater specially designed to warm buildings under construction, factories, sports facilities, car parks or fairgrounds of an area of approximately 450 m².

Galvanised sheet steel frame, with epoxy-polyester RAL 9016 structural finish as standard. Other colours or customisation (logos and vinyls) available on request.

Manufactured with 3 galvanised steel diffusers to direct the hot air in 3 different directions.
Optional: polyester fabric diffuser to maximise air outlets and radial heating of the environment.

It has wheels that facilitates to change its location easily according to the need of the user.

High efficiency radial back blade fan with 0-100% electronically adjustable EC motor via 0-10V.

Water coil with 2 or 3 row 2x½" male connectors (P85) allowing different working ranges 80/5 as standard. Other working ranges can be calculated on request.

With 3m schucko type cable to power the equipment with 230Vx1 single-phase current.

It includes a power ON/OFF cut-off switch and a 0-100% potentiometer to regulate fan speed. Both are integrated into the structure of the equipment.

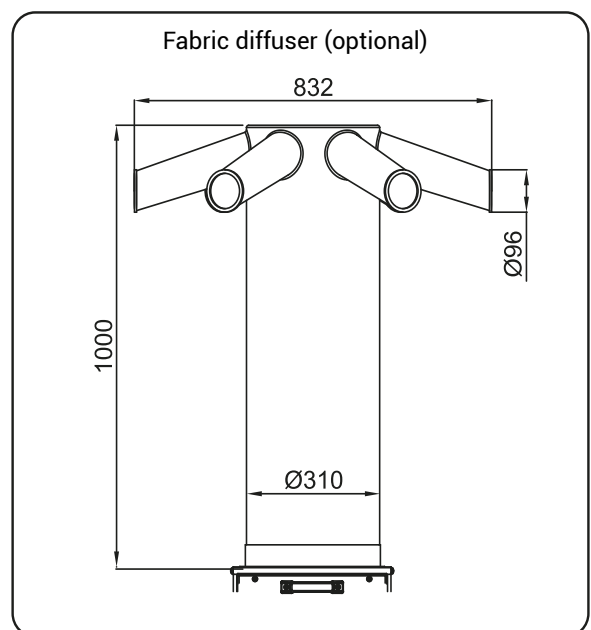
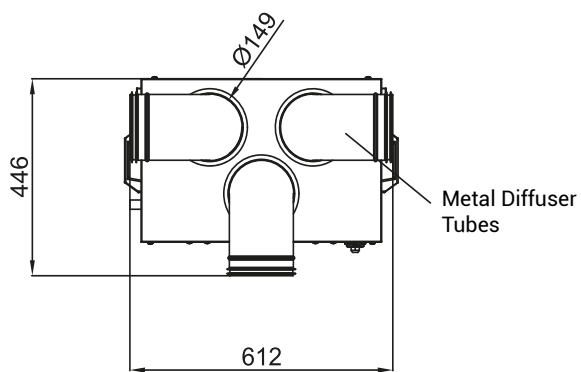
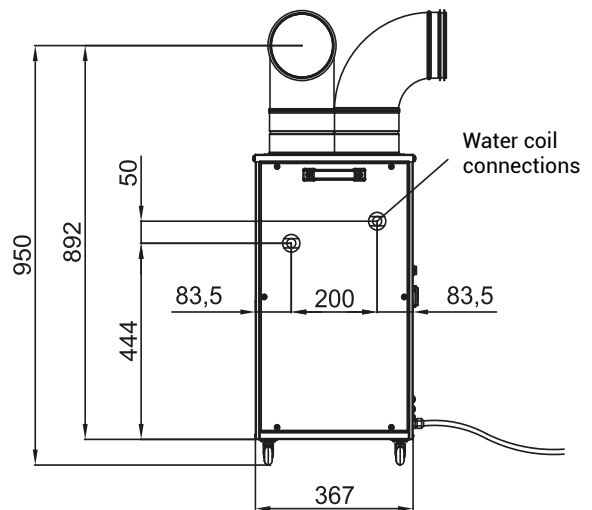
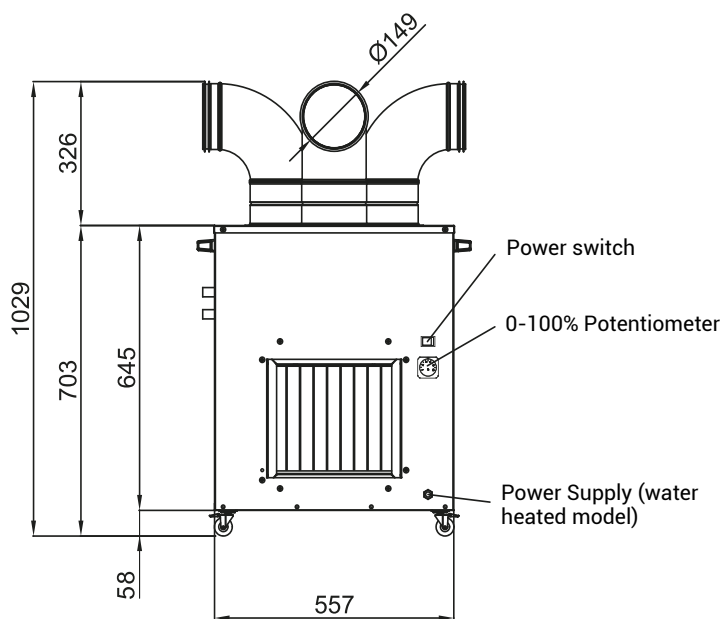




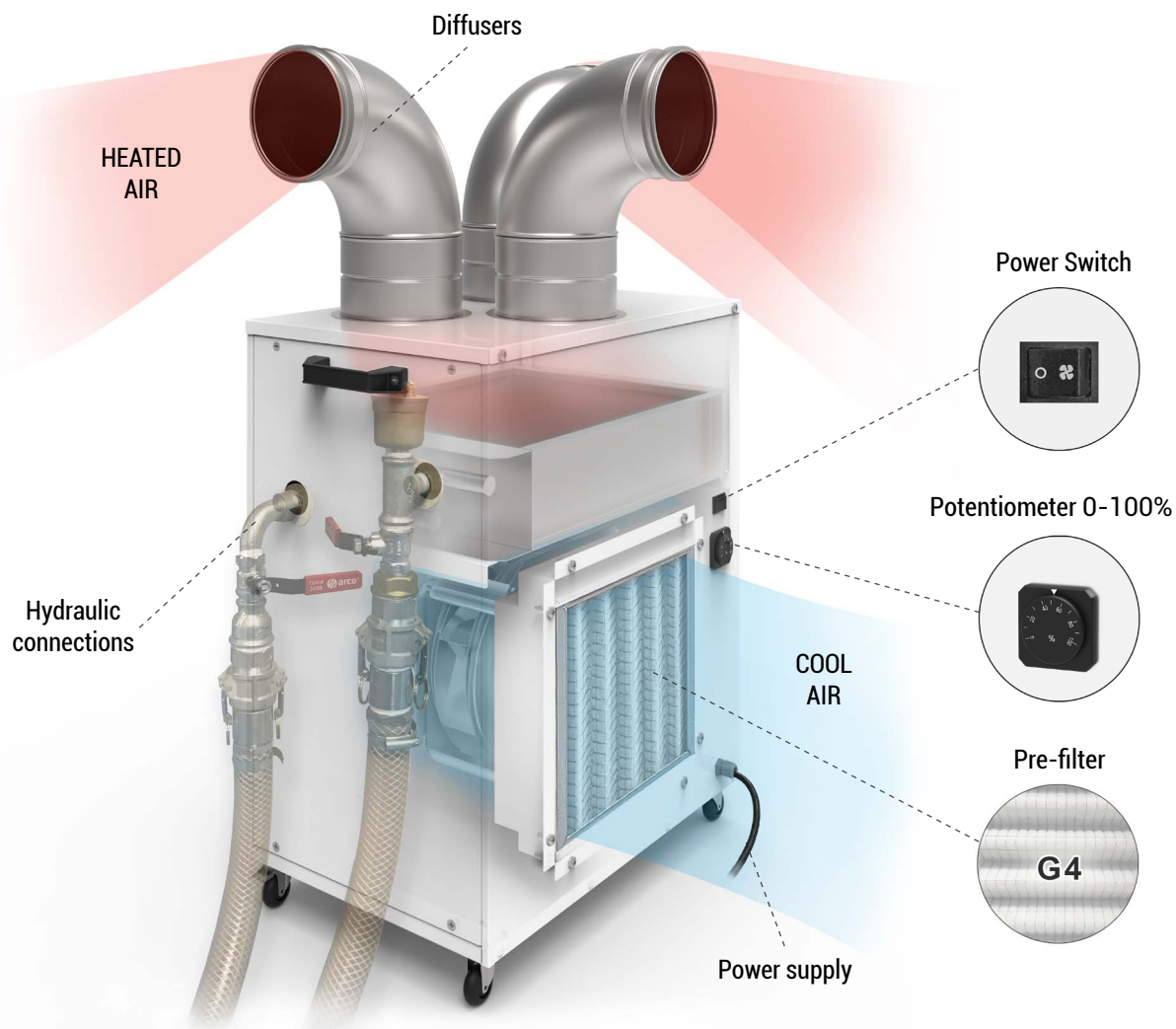
Unit	Airflow (m ³ /h)	Heating power (kW)	Consumption (W/h)	Intensity (A a 230V)	Weight (Kg)	Noise (at 5m) (dB)
FHP22 P85	1580	22,49	93,7	0,74	38	49 / 60 (*)

(*) Noise level corresponding to: 50% / 100% of air flow rate.

Dimensions



Functioning



Accessories

We can offer the diffusor in polyester fabric to maximize the hot air outcoming and we also provide valves according to customer requirements.



Polyester fabric diffuser



Representative picture, different models may work (only for model with water heating)

Ball Valve

CUSTOMISATION





Logos and vinyls



RAL chart



Conca de Barberà, 5 - Pol. Ind. Pla de la Bruguera
E-08211 Castellar del Vallès (Barcelona) Spain
+ 34 93 715 99 88
airtecnics@airtecnics.com

www.airtecnics.com



NOFCAT03525 2021R1 (18/10)
We reserve the right to modify design and specifications without prior notice.

